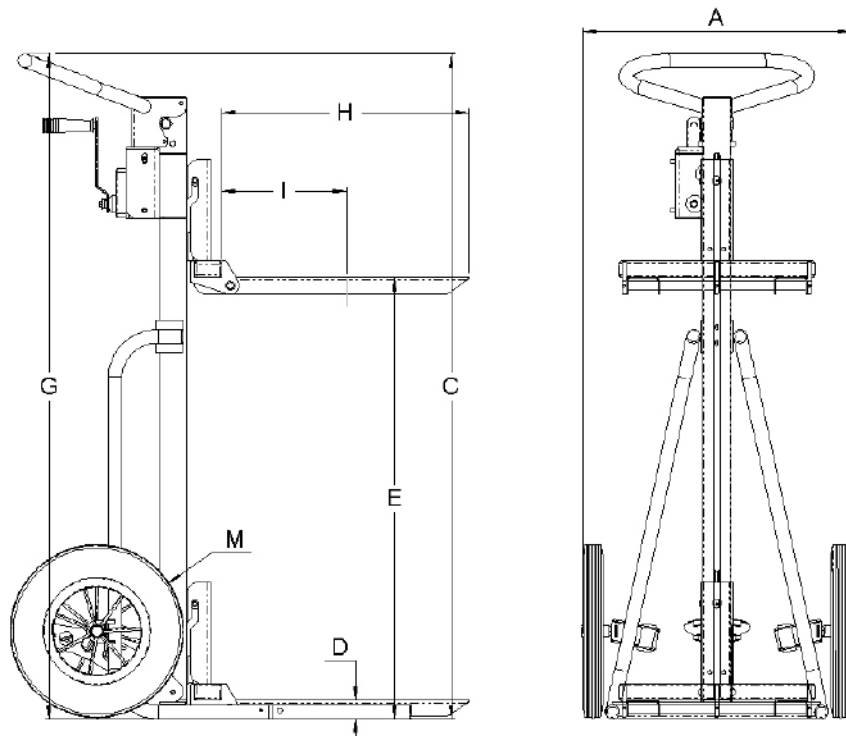
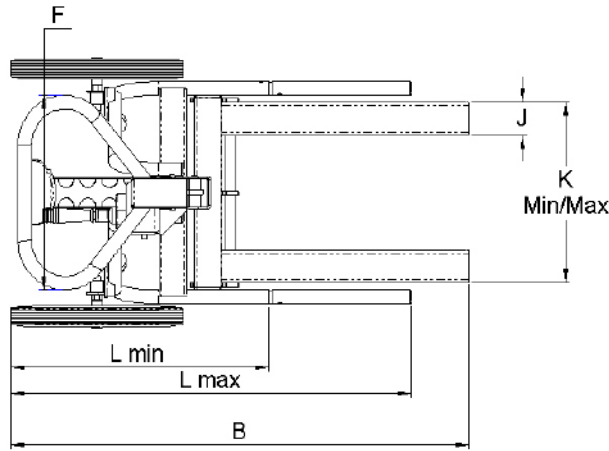


Freedom LIFTM8 Specification



	A	B	C	D	E	F	G	H	I	J	K	L
	OVERALL WMDTH	OVERALL LENGTH	OVERALL HEIGHT	LOWERED HEIGHT	RAISED HEIGHT	HANDLE WMDTH	HANDLE HEIGHT	FORK LENGTH	LOAD CENTRE	FORK WMDTH	OVER FORKS min/max	LEG LENGTH
FORKS STD	500	880	1200	40	800	350	1200	440	220	60	130/330	470/730
FORKS TALL	500	880	1350	40	1000	350	1200	440	220	60	130/330	470/730
SUCTION CUP	500	480	1200	200*	950*	350	1200	n/a	n/a	n/a	n/a	n/a

All dimensions are in mm unless otherwise shown