



Manual Handling Solutions
 58, Paige Close, The Meadows, Watlington, King's Lynn, Norfolk PE33 0TQ
 Tel 01553 811977 Fax 01553 811004 Mobile 07768506297
www.manualhandlingsolutions.com www.lifttables.co.uk www.scissorlifttables.co.uk
www.mobility-mhs.co.uk www.evacuationchairs.co.uk
 e-mail sales@manualhandlingsolutions.co.uk

Heavy Duty Stacker Specification

FIXED MAST

Machine Type			Fixed Wrapover Forks							Wide Straddle With Adjustable Forks						
Capacity KG	Operation	C/D O/A height of machine when forks Raised / Lowered	Reference	Free Lift	B Raised Height	Weight KG	E O/A W x L	Load Centre	F Turning Radius	Reference	Free Lift	B Raised Height	E Weight KG	O/A W x L	Load Centre	F Turning Radius
500	Manual	2130/1940	ST-500-1500-M	1120	1500	159	700x1620	500	1150	ST-500-1500-M-ADJ	1090	1450	179	1550 X 1620	500	1400
	Manual	2710/2550	ST-500-2100-M	1780	2100	199	930x1660	500	1150	ST-500-2100-M-ADJ	1780	2050	213	1550 X 1620	500	1400
700	Electric	2130/1940	ST-700-1500-E	1120	1500	212	700x1620	500	1150	ST-700-1500-E-ADJ	1090	1450	232	1550 X 1620	500	1400
	Electric	2710/2550	ST-700-2100-E	1780	2100	252	930x1660	500	1150	ST-700-2100-E-ADJ	1780	2050	272	1550 X 1620	500	1400
1000	Manual	2130/1940	ST-1000-1500-M	1120	1500	270	700x1620	500	1150	ST-1000-1500-M-ADJ	1090	1450	330	1550 X 1620	500	1400
	Electric	2130/1940	ST-1000-1500-E	1120	1500	300	700x1620	500	1150	ST-1000-1500-E-ADJ	1090	1450	360	1550 X 1620	500	1400
	Manual	2710/2550	ST-1000-2100-M	1780	2100	330	930x1660	500	1150	ST-1000-2100-M-ADJ	1780	2050	360	1550 X 1620	500	1400
	Electric	2710/2550	ST-1000-2100-E	1780	2100	360	930x1660	500	1150	ST-1000-2100-E-ADJ	1780	2050	390	1550 X 1620	500	1400
Closed Fork Height		A	90							85						
Lift Speed		-	Manual = 17 / stroke, Elec = 166 / sec							Manual = 17 / stroke, Elec = 166 / sec						
Fork Length		G	1140							1000						
Width Across Forks		H	528							740 Max						
Ford W x D		Q	160 x 50							80 x 40						
Width Between Legs		J/K	Inside 260 / Outside 480							Inside 1320 / Outside 1520						
Castor Wheels		-	150 dia, 1 Braked (Nylon)							150 dia, 1 Braked (Nylon)						
Load Roller Dia x L		-	80 x 75 (Nylon)							200 x 50 (Nylon)						

TELESCOPIC MAST

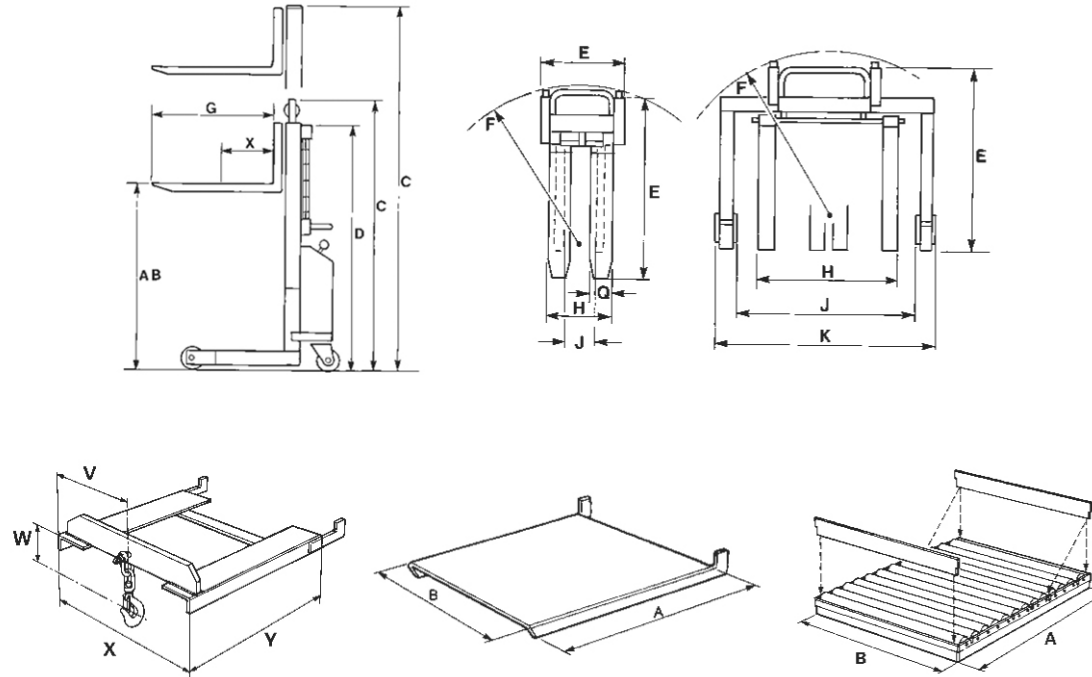
Machine Type			Fixed Wrapover Forks							Wide Straddle With Adjustable Forks						
Capacity KG	Operation	C/D O/A height of machine when forks Raised / Lowered	Reference	Free Lift	B Raised Height	Weight KG	E O/A W x L	Load Centre	F Turning Radius	Reference	Free Lift	B Raised Height	E Weight KG	O/A W x L	Load Centre	F Turning Radius
350	Bat/Elec	3355/1960	ST-350-2920-E	Nil	2920	528	950x1580	500	1150	ST-350-2920-E-ADJ	Nil	2920	563	1550x1620	500	1400
800	Bat/Elec	3860/2200	ST-800-3300-E	Nil	3300	430	950x1580	500	1150	ST-800-3300-E-ADJ	Nil	3300	480	1550x1620	500	1400
Closed Fork Height		A	90							85						
Lift Speed		-	Manual = 17 / stroke, Elec = 166 / sec							Manual = 17 / stroke, Elec = 166 / sec						
Fork Length		G	1140							1000						
Width Across Forks		H	528							740 Max						
Ford W x D		Q	160 x 50							80 x 40						
Width Between Legs		J/K	Inside 260 / Outside 480							Inside 1320 / Outside 1520						
Castor Wheels		-	150 dia, 1 Braked (Nylon)							150 dia, 1 Braked (Nylon)						
Load Roller Dia x L		-	80 x 75 (Nylon)							200 x 50 (Nylon)						

All dimensions are in mm unless otherwise shown

Optional Extras

- Crane Jib X x Y = 560 x 550
W x V = 175 x 280
- Steel Platform A x B = 1150 x 550*
- Roller Conveyor Platform Plastic Rollers*
Dimensions A x B = 1150 x 555

*Available for fixed fork models only
Special fork lengths & straddle widths available on request, please ask for details.



This document was downloaded from – www.manualhandlingsolutions.com

MHS.COM Ltd Trading as: Manual Handling Solutions, Martin Hancock Services, Elastic's and Cord Supplies
Registered Office: 36 Phillips Court, Water Street, Stamford. Lincs PE9 2EE