



Manual Handling Solutions  
 58, Paige Close, The Meadows, Watlington, King's Lynn, Norfolk PE33 0TQ  
 Tel 01553 811977 Fax 01553 811004 Mobile 07768506297  
[www.manualhandlingsolutions.com](http://www.manualhandlingsolutions.com) [www.lifttables.co.uk](http://www.lifttables.co.uk) [www.scissorlifttables.co.uk](http://www.scissorlifttables.co.uk)  
[www.mobility-mhs.co.uk](http://www.mobility-mhs.co.uk) [www.evacuationchairs.co.uk](http://www.evacuationchairs.co.uk)  
 e-mail [sales@manualhandlingsolutions.co.uk](mailto:sales@manualhandlingsolutions.co.uk)

## Light Duty Stackers Specification

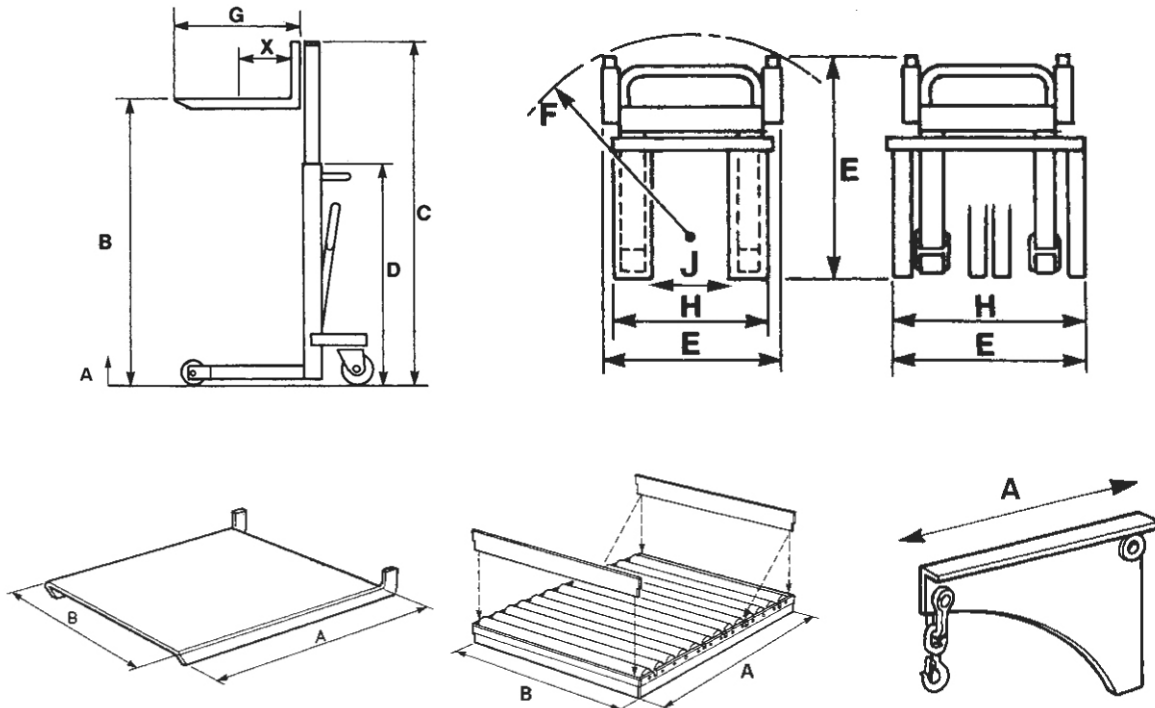
Machine Type			Fixed Wrapover Forks			Adjustable Forks		
B Raised Height	Operation	C/D O/A Height of Machine when forks Raised / Lowered	Reference	Lift Speed	Weight KG	Reference	Lift Speed	Weight KG
1830	Manual	2270/1395	ST-250-1830-M	33/stroke	106	ST-250-1830-M-ADJ	33/stroke	106
1830	Electric	2270/1395	ST-250-1830-E	6 sec / Meter	146	ST-250-1830-E-ADJ	6 sec / Meter	146
2450	Manual	2825 / 1650	ST-250-2450-M	40/stroke	136	ST-250-2450-M-ADJ	40/stroke	136
2450	Electric	2825 / 1650	ST-250-2450-E	6 sec / Meter	200	ST-250-2450-E-ADJ	6 sec / Meter	200
Load Centre		-	270			250		
Free Lift		-	Nil			Nil		
Closed Fork Height		A	90			85		
O/A W x L		E	665 x 1030			665 x 1030		
Fork Length		G	540			500		
Width Across Forks		H	560			635 max		
Fork W x D		-	110 x 50			50 x 20		
Width Between Legs		J	360			360		
Castor Wheels		-	125 dia, 1 braked (Nylon)			125 dia, 1 braked (Nylon)		
Load Roller Dia x L		-	80 x 50 (Nylon)			80 x 50 (Nylon)		
Turning Radius		F	950			950		

All dimensions are in mm unless otherwise shown

### Optional Extras (Available on all models)

- **Steel Platform\*** A x B = 540 x 570
- **Roller conveyor Platform\*** Plastic Rollers) A x B = 540 x 570
- **Crane Jib + A = 500**
- **Straddle Width 1100 between legs**

\* Fixed fork models only + Adjustable fork models only



This document was downloaded from – [www.manualhandlingsolutions.com](http://www.manualhandlingsolutions.com)