



Voyager Specification

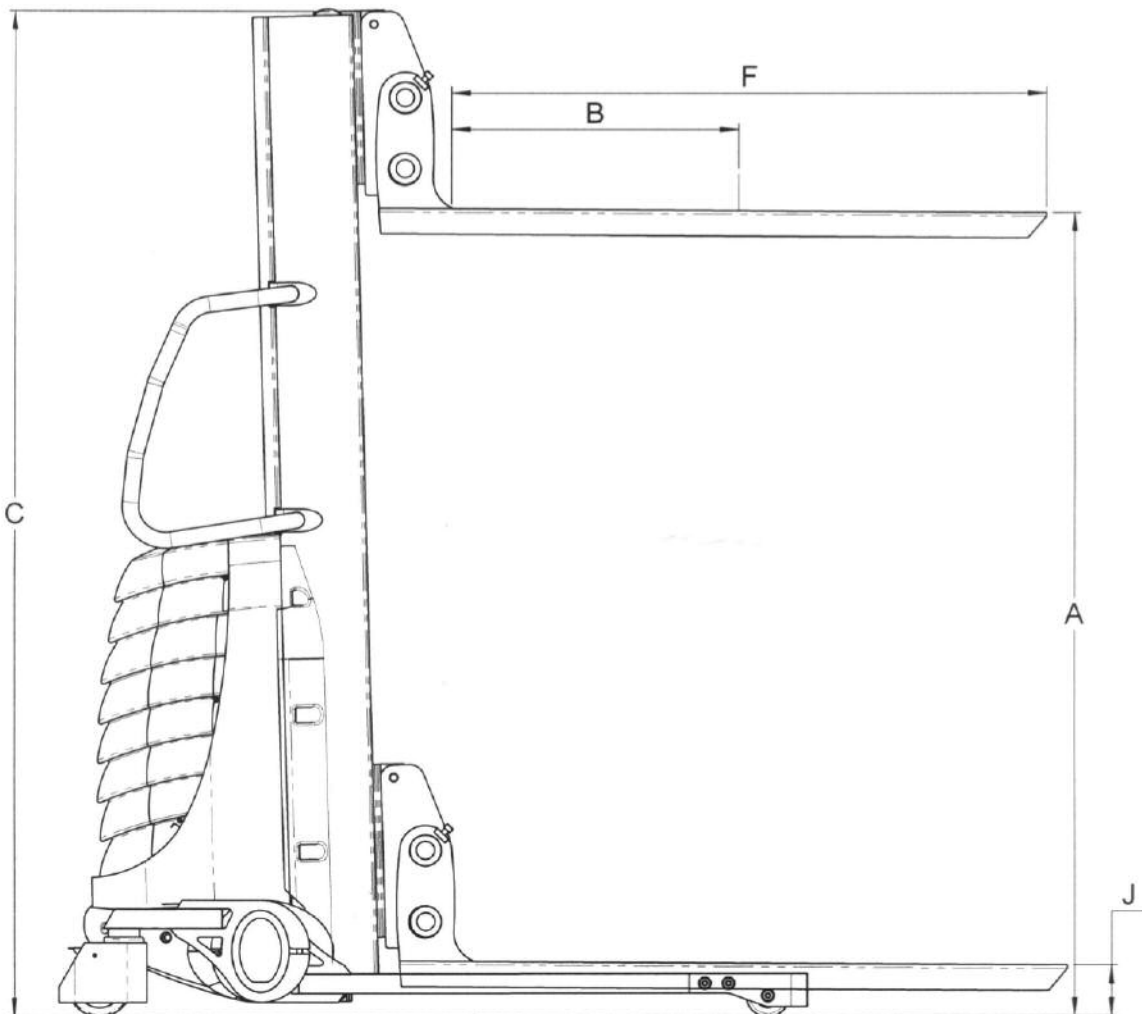
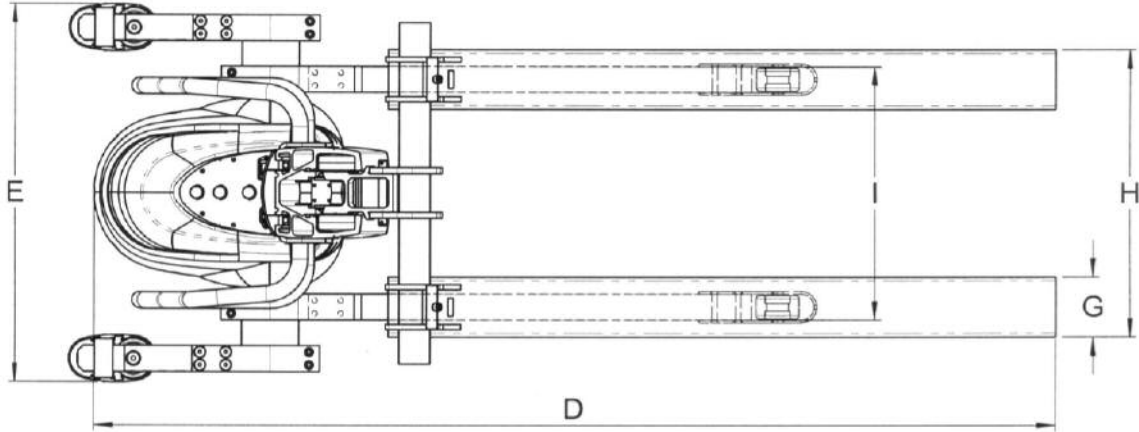
Part No.	Cap KG	Leg Type	Operation Type	Lift Height	Load Centre	O/A Height low/d/raised	O/A LxW -	Fork LxW -	Dist across forks		Closed Fork Ht	Approx Weight KG	Wheel Dia & Mat Castor wheels	Qty Braked	Wheel Dia & Mat Load wheels	
									Min.	Max.						
ST-VOY-300-1100-M	300	Std	Manual	1100	275	1480/1620	1280 x 730	550 x 120	320	650	470	700	90	134	125 dia Poly	82 x 45 Poly
ST-VOY-300-1600-M	300	Std	Manual	1600	275	1980/2120	1280 x 730	550 x 120	320	650	470	700	90	142	125 dia Poly	82 x 45 Poly
ST-VOY-300-1100-M-STR	300	Strad.	Manual	1100	275	1480/1620	1280 x 1630	550 x 120	320	650	470	1600	90	146	125 dia Poly	82 x 45 Poly
ST-VOY-300-1600-M-STR	300	Strad.	Manual	1600	275	1980/2120	1280 x 1630	550 x 120	320	650	470	1600	90	154	125 dia Poly	82 x 45 Poly
ST-VOY-500-1100-M	500	Std	Manual	1100	550	1480/1620	1910 x 730	1140 x 120	320	650	470	700	90	159	125 dia Poly	82 x 45 Poly
ST-VOY-500-1100-E	500	Std	Electric	1100	550	1480/1620	1930 x 730	1140 x 120	320	650	470	700	90	193	125 dia Poly	82 x 45 Poly
ST-VOY-500-1600-M	500	Std	Manual	1600	550	1980/2120	1910 x 730	1140 x 120	320	650	470	700	90	167	125 dia Poly	82 x 45 Poly
ST-VOY-500-1600-E	500	Std	Electric	1600	550	1980/2120	1930 x 730	1140 x 120	320	650	470	700	90	201	125 dia Poly	82 x 45 Poly
ST-VOY-500-1100-M-STR	500	Strad.	Manual	1100	550	1480/1620	1910 x 1630	1140 x 120	320	650	470	1600	90	171	125 dia Poly	82 x 45 Poly
ST-VOY-500-1100-E-STR	500	Strad.	Electric	1100	550	1480/1620	1930 x 1630	1140 x 120	320	650	470	1600	90	206	125 dia Poly	82 x 45 Poly
ST-VOY-500-1600-M-STR	500	Strad.	Manual	1600	550	1980/2120	1910 x 1630	1140 x 120	320	650	470	1600	90	179	125 dia Poly	82 x 45 Poly
ST-VOY-500-1600-E-STR	500	Strad.	Electric	1600	550	1980/2120	1930 x 1630	1140 x 120	320	650	470	1600	90	213	125 dia Poly	82 x 45 Poly
ST-VOY-750-1100-M	750	Std	Manual	1100	550	1480/1620	1950 x 930	1160 x 150	400	750	520	900	90	219	125 dia Poly	82 x 60 Poly
ST-VOY-750-1100-E	750	Std	Electric	1100	550	1480/1620	1970 x 930	1160 x 150	400	750	520	900	90	253	125 dia Poly	82 x 60 Poly
ST-VOY-750-1600-M	750	Std	Manual	1600	550	1980/2120	1950 x 930	1160 x 150	400	750	520	900	90	234	125 dia Poly	82 x 60 Poly
ST-VOY-750-1600-E	750	Std	Electric	1600	550	1980/2120	1970 x 930	1160 x 150	400	750	520	900	90	268	125 dia Poly	82 x 60 Poly
ST-VOY-750-1100-M-STR	750	Strad.	Manual	1100	550	1480/1620	1950 x 1630	1160 x 150	400	750	520	1600	90	237	125 dia Poly	82 x 60 Poly
ST-VOY-750-1100-E-STR	750	Strad.	Electric	1100	550	1480/1620	1970 x 1630	1160 x 150	400	750	520	1600	90	271	125 dia Poly	82 x 60 Poly
ST-VOY-750-1600-M-STR	750	Strad.	Manual	1600	550	1980/2120	1950 x 1630	1160 x 150	400	750	520	1600	90	249	125 dia Poly	82 x 60 Poly
ST-VOY-750-1600-E-STR	750	Strad.	Electric	1600	550	1980/2120	1970 x 1630	1160 x 150	400	750	520	1600	90	283	125 dia Poly	82 x 60 Poly
ST-VOY-1000-1100-M	1000	Std	Manual	1100	550	1480/1620	1950 x 930	1160 x 150	400	750	520	900	90	219	125 dia Poly	82 x 60 Poly
ST-VOY-1000-1100-E	1000	Std	Electric	1100	550	1480/1620	1970 x 930	1160 x 150	400	750	520	900	90	253	125 dia Poly	82 x 60 Poly
ST-VOY-1000-1600-M	1000	Std	Manual	1600	550	1980/2120	1950 x 930	1160 x 150	400	750	520	900	90	234	125 dia Poly	82 x 60 Poly
ST-VOY-1000-1600-E	1000	Std	Electric	1600	550	1980/2120	1970 x 930	1160 x 150	400	750	520	900	90	268	125 dia Poly	82 x 60 Poly
ST-VOY-1000-1100-M-STR	1000	Strad.	Manual	1100	550	1480/1620	1950 x 1630	1160 x 150	400	750	520	1600	90	237	125 dia Poly	82 x 60 Poly
ST-VOY-1000-1100-E-STR	1000	Strad.	Electric	1100	550	1480/1620	1970 x 1630	1160 x 150	400	750	520	1600	90	271	125 dia Poly	82 x 60 Poly
ST-VOY-1000-1600-M-STR	1000	Strad.	Manual	1600	550	1980/2120	1950 x 1630	1160 x 150	400	750	520	1600	90	249	125 dia Poly	82 x 60 Poly
ST-VOY-1000-1600-E-STR	1000	Strad.	Electric	1600	550	1980/2120	1970 x 1630	1160 x 150	400	750	520	1600	90	283	125 dia Poly	82 x 60 Poly



Manual Handling Solutions
58, Paige Close, The Meadows, Watlington, King's Lynn, Norfolk, PE33 0TQ
Tel: 01553 811977 Fax: 01553 811004 Mobile: 07768 506297

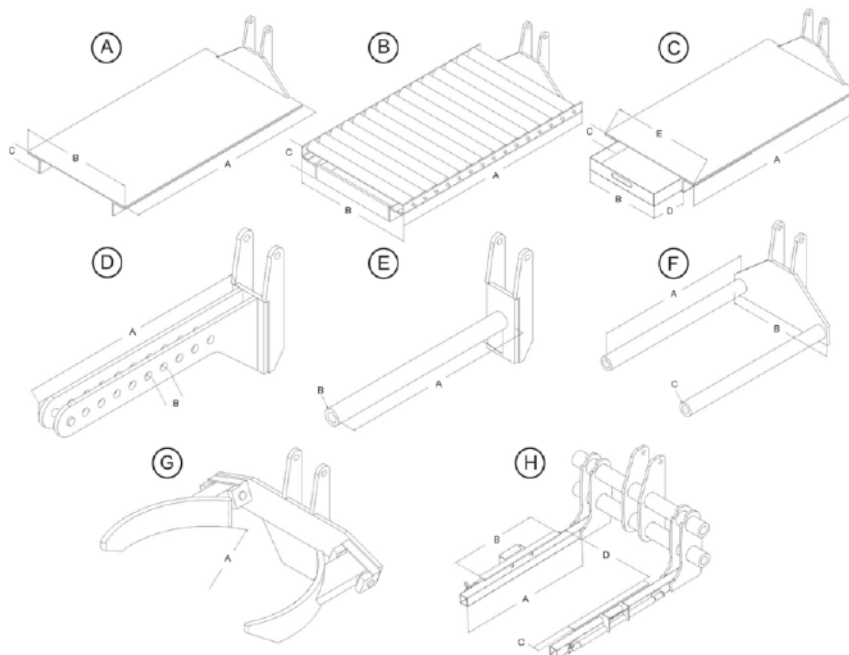
E-mail: sales@manualhandlingsolutions.co.uk
www.manualhandlingsolutions.co.uk
www.stairclimbers.net www.mobility-mhs.co.uk
www.powered-wheelchairs.co.uk

Voyager Specifications



Attachment Specifications

Code	A	B	C	D	E	Detail
A Steel Platform						
ST-VOY-AT-PLAT	550	550	75	-	-	300 KG model
ST-VOY-AT-500-PLAT	1000	550	75	-	-	500 KG model
ST-VOY-AT-HD-PLAT	1000	550	75	-	-	750 & 1000 KG models
B Roller Platform						
ST-VOY-AT-300-TRAY	550	550	150	-	-	300 KG model
ST-VOY-AT-500-RP	1000	550	150	-	-	500 KG model
ST-VOY-AT-HD-RP	1000	550	150	-	-	750 & 1000 KG models
C Steel Platform & Tray						
ST-VOY-AT-300-TRAY	550	400	80	300	550	300 KG model
ST-VOY-AT-500-TRAY	1000	400	80	300	550	500 KG model
ST-VOY-AT-HD-TRAY	1000	400	80	300	550	750 & 1000 KG models
D Jib Attachment						
ST-VOY-AT-300-JIB	300	50	-	-	-	300 KG model
ST-VOY-AT-500-JIB	600	50	-	-	-	500 KG model
ST-VOY-AT-750-JIB	600	50	-	-	-	750 KG model
ST-VOY-AT1000-JIB	600	50	-	-	-	1000 KG model
E Boom Attachment						
ST-VOY-AT-300-BOOM	400	50	-	-	-	300 KG model
ST-VOY-AT-500-BOOM	600	50	-	-	-	500 KG model
ST-VOY-AT-750-BOOM	600	50	-	-	-	750 KG model
ST-VOY-AT-1000-BOOM	600	50	-	-	-	1000 KG model
F Drum and Reel Carrier						
ST-VOY-AT-300-REEL	400	350	50	-	-	300 KG model
ST-VOY-AT-500-REEL	600	350	50	-	-	500 KG model
ST-VOY-AT-750-REEL	600	350	50	-	-	750 KG model
ST-VOY-AT-1000-REEL	600	350	50	-	-	1000 KG model
G Drum Clamp						
ST-VOY-AT-CLAMP	550	-	-	-	-	300, 500 & 750 KG models



All dimensions are in mm unless otherwise shown