



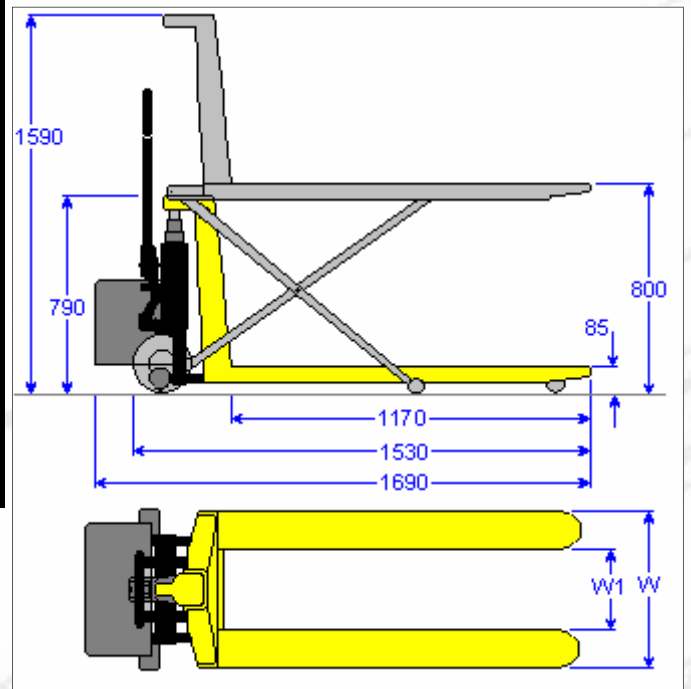
HL & HLE1000 High Lift Pallet Trucks

Our high-lift pallet truck is the ideal work positioner, designed to reduce fatigue and increase operator safety.

- Lift Height 800 mm.
- Capacity 1000Kg.
- Choice of 2 widths from stock for most pallet types. Other sizes to order.
- When raised, the truck locks itself to the floor with extended outriggers; this, coupled with a long wheel base, makes the truck particularly stable.
- 200 mm diameter, nylon steer wheels and nylon load rollers combine to make the truck extremely easy to manoeuvre.
- On electric models, a single housing holds the pump / motor and heavy duty battery. Lifting and lowering is by means of handle mounted rocker switch.
- Electric models come complete with easy to use, automatic battery charger.



Model		HL1000 1150/540	HL1000 1150/680	HLE1000 1150/540	HLE1000 1150/680
Capacity To Full Height	Kg	1000			
Lift Height	mm	800			
At Load Centre	mm	600			
Fork Length	mm	1170			
Fork Spread (W)	mm	540	680	540	680
Fork Gap (W1)	mm	220	360	220	360
Wheels		Nylon			
Closed Fork Height	mm	85			
Closed Chassis Height	mm	790			
Raised Chassis Height		1590			
Wheels	Load Roller	80 x 45			
	Steer Wheel	200 x 50			
Battery	V / Ah	-		12 / 60	
Charger (External)	V / A	-		12 / 10	
Overall Length	mm	1530		1690	
Brake		Automatic when forks raised above 300 mm.			



Options



304 Stainless Steel



304 Stainless Steel