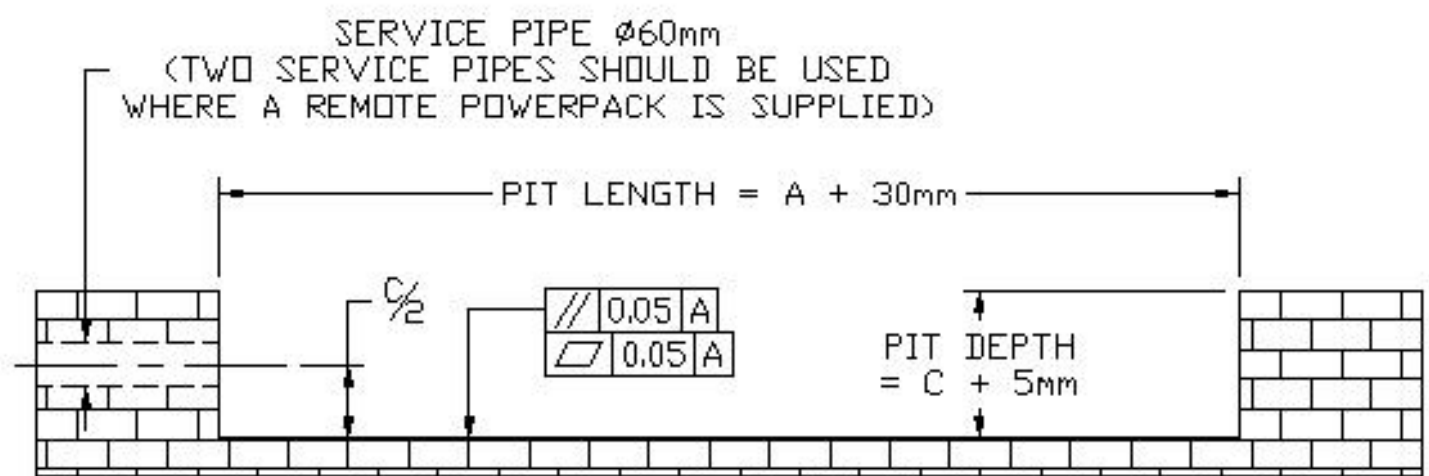
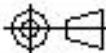


BEFORE BOLTING DOWN THE TABLE IN THE PIT, RUN THE UNIT UP THRU' THE MEZZANINE TO CHECK ALIGNMENT.

- A = TABLE PLATFORM LENGTH
- B = TABLE PLATFORM WIDTH
- C = TABLE CLOSED HEIGHT



THIRD ANGLE PROJECTION 	DRAWING No. D-SC-STATICDIMS-A		
ALL DIMENSIONS IN mm, GENERAL TOLERANCE OF 0.5mm UNLESS OTHERWISE SPECIFIED. THIS DRAWING FORMS PART OF A REGISTERED DESIGN	DRAWING NAME: STATIC TABLE PIT & MEZZANINE DIMENSIONS		
	DRN BY: STH	DRN: DL0304	SCALE 1:1
			ORIGINAL SHEET SIZE A4

