

SQR1500 & 2000 Fully Powered Pallet Truck

Manual Handling Solutions
 58, Paige Close, The Meadows, Watlington,
 King's Lynn, Norfolk, PE33 0TQ
 Tel: 01553 811977 Fax: 01553 811004
 Mobile: 07768 506297
 E-mail: sales@manualhandlingsolutions.co.uk
 www.manualhandlingsolutions.co.uk
 www.stairclimbers.net www.mobility-mhs.co.uk
 www.powered-wheelchairs.co.uk

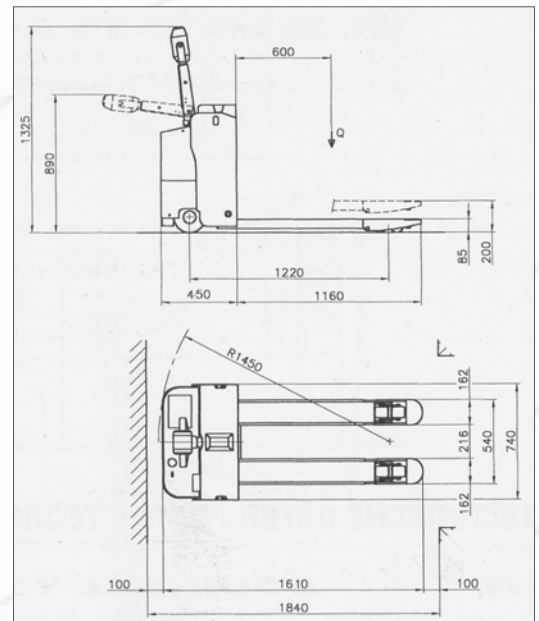


The SQR1500 & SQR2000 are heavy duty, fully powered pallet trucks.

- Capacity 1500 or 2000 Kg.
- Standard fork size for Euro pallet, other fork sizes available on request.
- Compact design allows for easy manoeuvring in narrow aisles.
- External battery charger.
- Ergonomic drive controls with microprocessor control.
- Heavy duty battery for a full day's continuous work.
- Smooth stepless drive controls.
- Trucks carry CE mark and comply will all current safety legislation.
- Comprehensive warranty and superb after sales service provided.



Model		SQR1500	SQR2000
Capacity	Kg	1500	2000
At Load Centre	mm	600	
Fork Length	mm	1160	
Fork Spread	mm	540	
Fork Gap	mm	216	
Overall Length	mm	1610	
Overall Width	mm	740	
Maximum Gradient Laden / Unladen	%	10 / 15	
Wheels	Load Roller	Ø 80 x 90 Polyurethane Single	
	Rear Wheels	Ø 100 x 40 Polyurethane	
	Drive Wheel	Ø 250 x 80 Polyurethane	Ø 200 x 85 Polyurethane
Brake		Electromagnetic	
Battery	V / Ah	24 / 110	24 / 160
Charger	V / A	24 / 30	24 / 30
Truck Weight With Battery	Kg	385	480



Options



Angled Forks For Reel Handling



Longer Forks On Request



Rider Platform



Built-in Weighing Systems.