



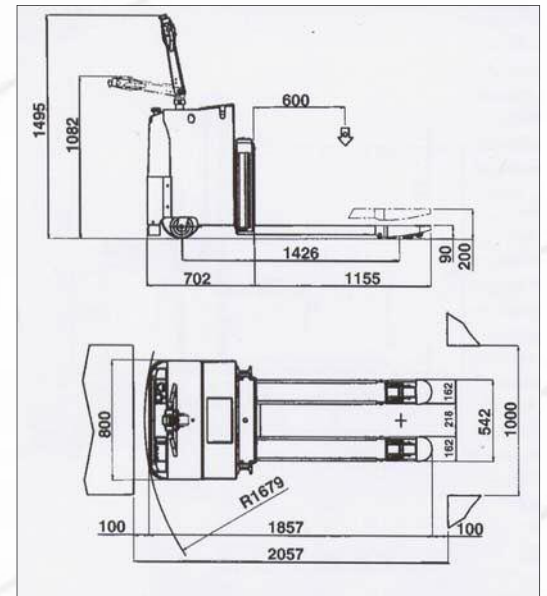
# SQR3000 Fully Powered Pallet Truck

The SQR3000 heavy duty, fully powered pallet truck for the most demanding of applications

- Capacity 3000 Kg
- Standard fork size for Euro pallet, other fork sizes available on request.
- Built-in battery charger means that the truck can be charged from any convenient 3-pin socket.
- Ergonomic drive controls with microprocessor control.
- Heavy duty battery for a full day's hard continuous work.
- Smooth stepless drive controls.
- Trucks carry CE mark and comply with all current safety legislation.
- Comprehensive warranty and superb after sales service provided.



| Model                            |             | SQR3000                       |
|----------------------------------|-------------|-------------------------------|
| Capacity                         | Kg          | 3000                          |
| At Load Centre                   | mm          | 600                           |
| Fork Length                      | mm          | 1150                          |
| Fork Spread                      | mm          | 542                           |
| Fork Gap                         | mm          | 218                           |
| Overall Length                   | mm          | 1857                          |
| Overall Width                    | mm          | 800                           |
| Maximum Gradient Laden / Unladen | %           | 4.5 / 6.2                     |
| Load Roller                      | mm          | Ø 80 x 70 Polyurethane Single |
| Wheels                           | Rear Wheels | Ø 150 x 54 Polyurethane       |
|                                  | Drive Wheel | Ø 260 x 100 Polyurethane      |
| Brake                            |             | Electromagnetic               |
| Battery                          | V / Ah      | 24 / 240                      |
| Charger                          | V / A       | 24 / 40                       |
| Truck Weight With Battery        | Kg          | 680                           |



## Options



Angled Forks For Reel Handling



Longer Forks On Request



Rider Platform



Built-in Weighing Systems.