

SQR1300 Fully Powered Pallet Truck

The SQR1300 is a lighter duty, fully powered pallet truck, intended for general warehouse and similar indoor applications.

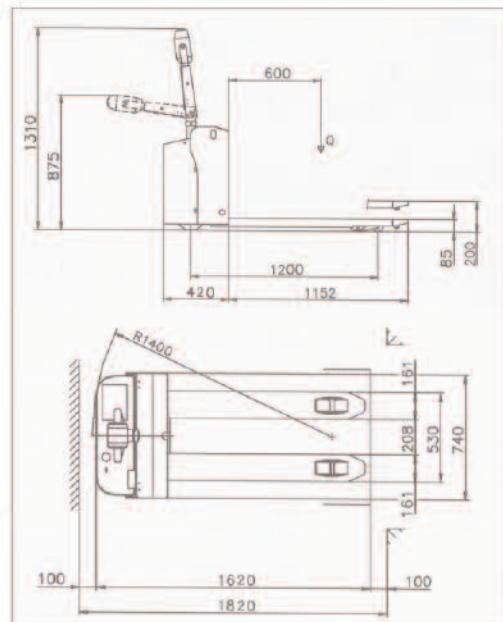
- Capacity 1300 Kg.
- Lift height 200 mm.
- Powered by 2 monobloc batteries
- External battery charger is powered from standard 13 amp supply..
- Ergonomic drive controls.
- Medium duty battery for 3 to 4 hours continuous work. Likely to give a week's worth of use from a charge with intermittent work.
- Smooth stepless drive controls with microprocessor control
- Trucks carry CE mark and comply with all current safety legislation.
- Comprehensive warranty and superb after sales service provided.

SQR1300



Other fork lengths and widths available on request.

Model		SQR1300	
Capacity	Kg	1300	
At Load Centre	mm	600	
Fork Length	mm	1200	
Fork Spread	mm	530	
Fork Gap	mm	208	
Overall Length	mm	1572	
Overall Width	mm	740	
Maximum Gradient Laden / Unladen	%	7 / 12	
Load Roller	mm	Ø 80 x 90 Polyurethane Single	
Wheels	Rear Wheels	mm Ø 100 x 40 Polyurethane	
	Drive Wheel	mm Ø 220 x 70 Polyurethane	
Brake		Electromagnetic	
Battery	V / Ah	2 x 12 / 100 (Series)	
Charger	V / A	24 / 30	
Truck Weight With Battery	Kg	275	



Manual Handling Solutions
58, Paige Close, The Meadows, Watlington,
King's Lynn, Norfolk, PE33 0TQ
Tel: 01553 811977 Fax: 01553 811004
Mobile: 07768 506297
E-mail: sales@manualhandlingsolutions.co.uk
www.manualhandlingsolutions.co.uk
www.stairclimbers.net www.mobility-mhs.co.uk
www.powered-wheelchairs.co.uk

Also See



The PAR1000 is an ideal, lighter duty stacker to compliment this powered pallet truck

For higher lift capacities, see SQR1500, 2000 & 3000.