

TSX2000 Stainless Steel Pallet Truck With Built-In Weigh Scale

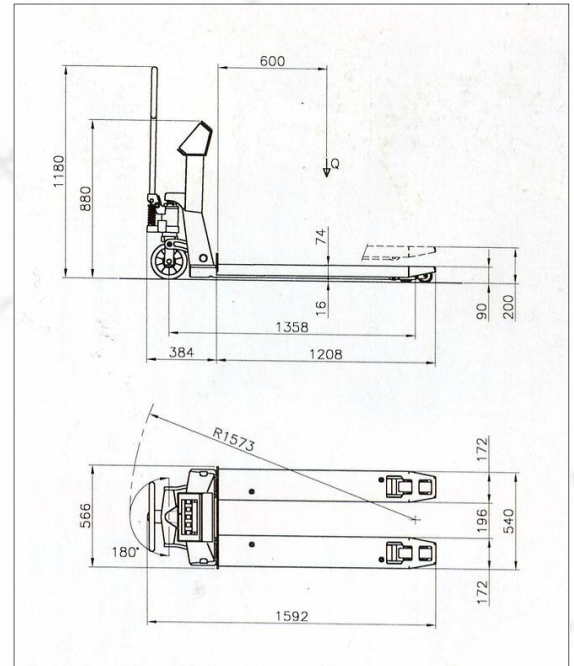
High quality, stainless steel pallet truck with built in weighing facility.

- Capacity 2000 Kg.
- Food and pharmaceuticals grade 304 stainless steel.
- 4 Load cells to ensure accurate weighing of unevenly distributed loads. An accuracy of around 0.1 Kg throughout the lifting range.
- Large 6 digit LCD display.
- Truck and display unit are IP65 rated; giving total protection against dust ingress and protection from low pressure water jets from any direction.
- Rechargeable battery and external, plug-in battery charger. Battery gives around 40 hours of operation in between charges.
- Trucks carry CE mark and comply with all current safety legislation.



Head unit functions include.

- Tare
- Net weight
- Totals
- Item Counter
- As standard, a standby cut out is included to prolong battery life.



Model TSB-EX is a special version. Manufactured in painted mild steel but fitted with stainless steel fork covers.. The TSB-EX is explosion-proof EEX certified by CESI.. Making it suitable for use in petrochemical and other hazardous industries.

| Model | TSX2000 | |
|--------------------|---------|--------------|
| Capacity | Kg | 2000 |
| At Load Centre | mm | 600 |
| Wheels | | Nylon |
| Lift Height | mm | 200 |
| Closed Fork Height | mm | 90 |
| Fork Length | mm | 1208 |
| Fork Width | mm | 540 685 |