

















































8. Press the UP/DOWN switch, direction **DOWN**, and the descending process begins.
9. The power unit moves the climbers **3** down.

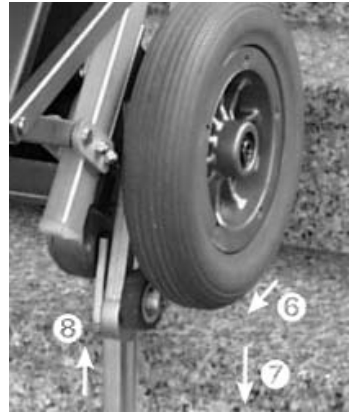


10. When the climbers reach the next lower step **4**, they resume the load of the main wheels, while those plus the climbing frame are lifted off the higher step **5**.



11. Now the main wheels and the climbing frame are moved forward ⑥.

Then the main wheels plus the climbing frame are lowered ⑦ by pulling up the climbers ⑧ until...



12. ...the main wheels touch down on the next step (see picture).

If you activated the single step mode, the climbers are pulled in entirely and then the descending process ends at this point.



13. Again push the **c-max** all the way to the edge of the step, i.e. until the sensitive rolls of the security brakes stop the **c-max**.

To continue descending you need to press the UP/DOWN switch again, direction DOWN, if you activated the single step mode.

Climbing downstairs now repeats itself as explained in point 7 and following.



## 6.12 Laying the c-max on the stairs

In an emergency you may lay down the **c-max** on the stairs. The security brakes prevent the **c-max** from rolling down (see picture).





## 7 Accessories

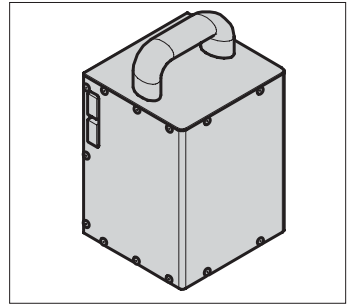
### 7.1 Battery pack

The **c-max** works with batteries and is delivered with one battery pack.

Additional battery packs, we call them quick release battery packs, are available as an accessory.


We recommend an additional battery pack if you use the **c-max** continuously, i.e. there are not sufficient breaks for the batteries to be recharged.

In such case one battery pack is in use while the other is being recharged at the same time.

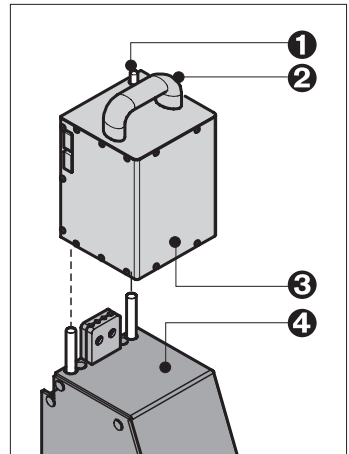


### 7.2 Exchange battery pack

1. Turn off the **c-max** using the ON/OFF switch.
2. Press the release button ❶ on top of the battery pack ❸ until it engages. Now you lift out the battery pack at its grip ❷ from its fixture on top of the power unit's housing ❹.
3. Push the other fully charged battery pack from the top into its fixture by means of the guiding pins on top of the power unit's housing. This establishes the power connection and locks the battery pack.

 The quick release battery pack should always be connected to the charger to extend its durability (see chapter 8.1).

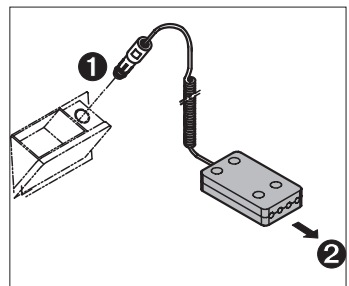
 Please exclusively use the **AAT Alber charger** to charge your battery pack.



### 7.3 Charging cable for your vehicle


A charging cable for your vehicle is recommended, if you transport the **c-max** frequently in your car. The charging cable is available as an accessory.

The charging cable's plug ❶ fits into the socket of the car's cigarette lighter; connect the other plug ❷ to the battery pack.



## 8 Care and maintenance

To guarantee the safety of the **c-max** the device must be inspected every two years, even if there are no outer signs of damage or malfunction.

 In the interest of your safety repairs of any kind may only be done by personnel authorized by AAT Alber Antriebstechnik GmbH.

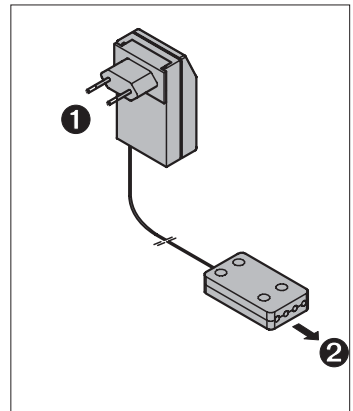
### 8.1 Charger

Please exclusively use the AAT Alber charger to charge your battery packs.

#### 8.1.1 Automatic charger

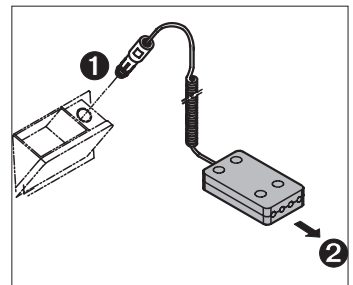
The **c-max** comes with the automatic charger. The charging cable's plug **1** fits into the wall outlet socket; connect the other plug **2** to the battery pack.

This automatic charger recharges your batteries 100%. As soon as the charging process is completed, it switches to a retaining mode, thus overcharging is impossible.



#### 8.1.2 Charging cable

A charging cable for your vehicle is available as an accessory. Approximately a recharge of 80% is possible by accessing your vehicle's battery using a charging cable. Connector **1** fits to the cigarette lighter; plug in connector **2** at the battery pack.

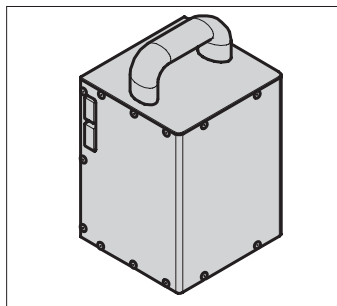


## 8.2 Battery pack

The quick release battery pack, consisting of sealed lead acid batteries, should be recharged after each use. (Technical details for the sealed lead acid batteries you find in chapter 8.3)

Tip:

- 👉 If the **c-max** is at a standstill for some time, please connect it to the charger to retain the charge. This does not damage the sealed lead acid batteries, on the contrary, it increases their durability.



## 8.3 Sealed lead acid batteries

There are 2 sealed lead acid batteries 12 V / 5Ah in the battery pack of the **c-max**. These batteries are sealed, maintenance free, rechargeable and of top quality.

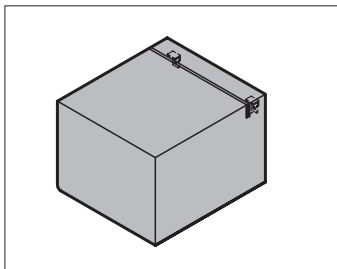
The batteries of your **c-max** can be discharged or recharged in any possible position.

**Please avoid a total discharge:** The durability of sealed lead acid batteries depends primarily on the charge/discharge cycle. For instance, you may discharge them partially more than 1000 times and use up the entire capacity more than 200 times, if you avoid a total discharge entirely.

A total discharge does not only lead to a loss of the batteries' capacity, but also shortens their durability. Thus, do avoid a total discharge, by recharging the batteries whenever possible!

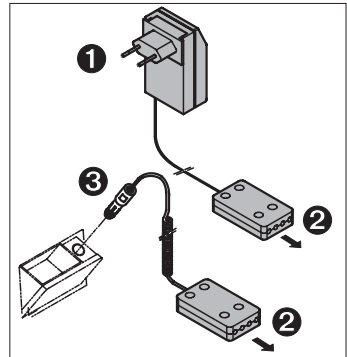
- 👉 Charging your batteries is taking good care of them.

Return dead batteries to AAT Alber Antriebstechnik GmbH or take them to particular recycling places where they can be recycled appropriately.




## 8.4 Charging the battery pack

1. Remove the battery pack from the power unit (see chapter 7.2).
2. Connect the charger's plug ② to the socket on the battery pack. Remember: The batteries of your c-max can be discharged or recharged in any possible position.
3. Depending of the type of charger used, insert the other plug ① into the wall outlet or plug it ③ into the cigarette lighter's socket in your vehicle.

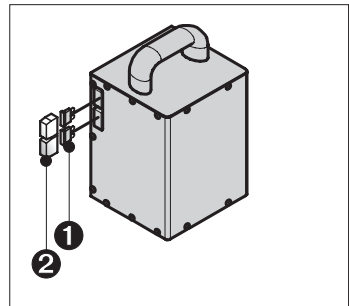


## 8.5 Fuses

Two electrical 30 A fuses ① are located on the side of your battery pack. They are protected by a cover ②.

 You may not mend or by-pass defect fuses. Always replace them with identical ones of the same amperage.

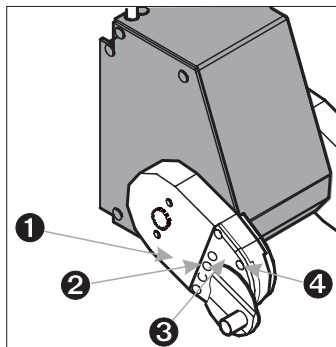
To exchange the fuses, pull out the cover and the fuses, insert the new ones and replace the cover.



## 8.6 Tighten driving chain

Occasionally the chains of the climbing system - situated in the chain's housing **1** - have to be tightened.

1. Unscrew the screws **4** (4 mm) in the cover of the chain's housing **3**.
2. Turn the adjustment bolt **2** clockwise using a hexagon socket screw driver (5 mm) until the chain is tight.
3. Retighten the cap screws on the cover.



## 8.7 Check brake lining

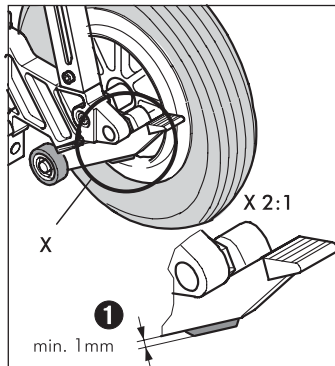
Please check the thickness of the safety brakes' lining regularly. The minimum thickness **1** is 1 mm. In case the lining is thinner than 1 mm, the lining must be exchanged on both sides. Please contact AAT Alber Antriebstechnik or your local dealer.

- ☞ Please check the safety brakes before each use of the c-max (see also chapter 6.4 and 4.2).

The safety brakes, particularly the knurled surface of the brake drums in the wheel rims, must be cleaned weekly with alcohol to ensure the optimum braking effect.

- ☞ Never use suds or greasy cleaners.

After cleaning the safety brakes must be checked as described in chapter 6.4.

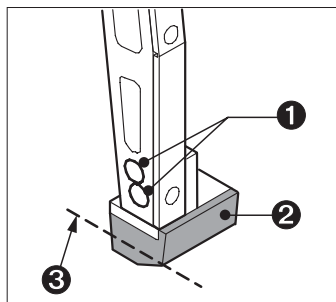


## 8.8 Check the climbing foot's lining

Please also check each climbing foot's lining **2** on a regular basis.

- ☞ If the lining **2** is worn down to the indicated line **3** or broken, again, exchange both climbing feet.

1. Unscrew the screws **1** (5 mm) and remove the climbing foot.
2. Apply locktite to the screws before screwing the new climbing foot on the climbing leg.
3. Tighten the cap screws securely (10 Nm).
4. Exchange the other climbing foot the same way following steps 1 through 3.






### **8.9 Cleaning**

For the seat's cushion, the back and the arm rests, please use suds.

The other parts of the *c-max* - except the safety brakes (see chapter 8.8) - can be cleaned with a moist cloth; please use regular mild household cleaners.

-  For safety reasons, please do not use a high-pressure cleaning device.



## **9 Warranty and liability**

### **9.1 Warranty**

AAT Alber Antriebstechnik GmbH grants a warranty of two years for all its products of type *c-max* including all its accessory parts (with the exception of the sealed lead acid batteries). The warranty begins at the date of purchase and covers failure of material and errors in manufacturing.

For the sealed lead acid batteries, always assuming correct maintenance, AAT Alber Antriebstechnik GmbH grants a warranty of six months from the date of purchase.

The warranty of the *c-max* does not cover damage or failure caused by:

- inadequate and insufficient maintenance by the client
- inadmissible changes or improper use
- improper use extending the maximum loading capacity of the *c-max*
- inappropriate charging of the sealed lead acid batteries batteries.

### **9.2 Liability**

AAT Alber Antriebstechnik GmbH, manufacturer of the *c-max*, is not responsible for eventual damage done by the following:

- *c-max* was used inappropriately
- repair work, assembly and the like was done by unauthorized personnel
- *c-max* was not operated in accordance with this user's manual
- extraneous parts were attached to or used with the *c-max*
- parts of the *c-max* were removed
- the *c-max* was loaded extending the maximum loading capacity.



Ideen bewegen mehr

**AAT Alber Antriebstechnik GmbH**

Postfach 10 05 60 · D-72426 Albstadt

Tel.: +49 - 74 31 - 12 95 0 · Fax.: +49 - 74 31 - 12 95 35 · Email: [info@aat-online.de](mailto:info@aat-online.de)

[www.aat-online.de](http://www.aat-online.de)

**Manual Handling Solutions 58, Paige Close, Watlington, Kings Lynn, Norfolk PE33 0TQ UK**

**Tel 0044 1553 811977 Fax 0044 1553 811004 [sales@manualhandlingsolutions.co.uk](mailto:sales@manualhandlingsolutions.co.uk) [www.manualhandlingsolutions.com](http://www.manualhandlingsolutions.com)**