

## Heavy Duty Scissor Table Specification

### SINGLE SCISSOR TABLES

Capacity	C Raised Height	B Closed Height	Operation	E x A Platform W x L	E x D O/A W x L	F Handle Height	Wheel Dia	Approx Weight	Reference
800KG	1050	360	Manual Hyd	840 X 1350	860 X 1650	1010	150/200	222	SC-800-S-M
800KG	1050	360	Battery Electric	840 X 1350	860 X 1650	1010	150/200	270	SC-800-S-E
1250KG	1050	360	Manual Hyd	840 X 1350	860 X 1650	1010	150/200	230	SC-1250-S-M
1250KG	1050	360	Battery Electric	840 X 1350	860 X 1650	1010	150/200	278	SC1250-S-E
1000KG	1050	360	Manual Hyd	1000 X 2000	1000 X 2350	1010	150/200	350	SC-1000-S-M
1000KG	1050	360	Battery Electric	1000 X 2000	1000 X 2350	1010	150/200	397	SC-1000-S-E

### DOUBLE SCISSOR TABLES

Capacity	C Raised Height	B Closed Height	Operation	E x A Platform W x L	E x D O/A W x L	F Handle Height	Wheel Dia	Approx Weight	Reference
500KG	1900	490	Manual Hyd	840 X 1350	860 X 1650	1010	150/200	306	SC-500-D-M
500KG	1900	490	Battery Electric	840 X 1350	860 X 1650	1010	150/200	352	SC-500-D-E
800KG	1900	490	Manual Hyd	840 X 1350	860 X 1650	1010	150/200	315	SC-800-D-M
800KG	1900	490	Battery Electric	840 X 1350	860 X 1650	1010	150/200	363	SC-800-D-E

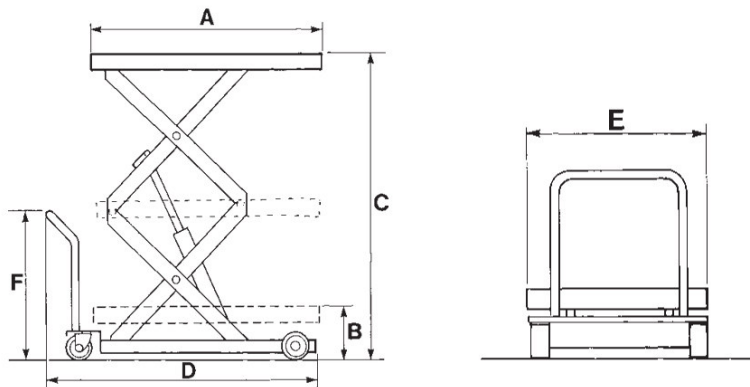
### TRIPLE SCISSOR TABLES

Capacity	C Raised Height	B Closed Height	Operation	E x A Platform W x L	E x D O/A W x L	F Handle Height	Wheel Dia	Approx Weight	Reference
500KG	2900	650	Manual Hyd	840 X 1350	860 X 1690	1010	150/200	375	SC-500-T-M
500KG	2900	650	Battery Electric	840 X 1350	860 X 1690	1010	150/200	420	SC-500-T-E

All dimensions are in mm unless otherwise shown

#### Options

- Second brake wheel
- Stainless steel top cover
- Plastic roller conveyor top, Increases closed / raised height by 60mm
- Ball Top
- Bellows safety skirt



This document was downloaded from – [www.manualhandlingsolutions.com](http://www.manualhandlingsolutions.com)