
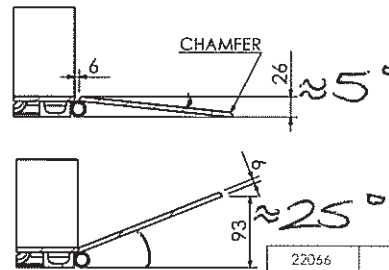
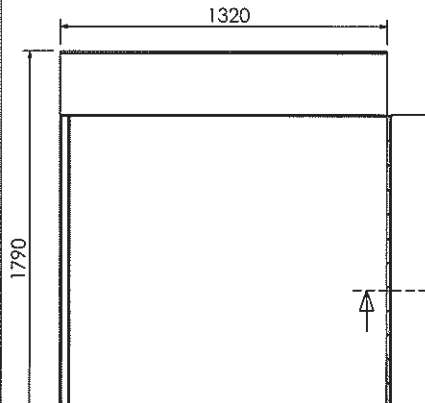
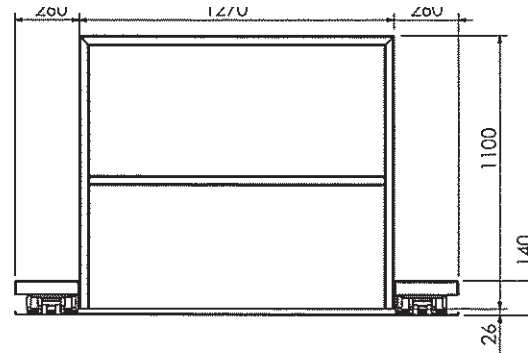
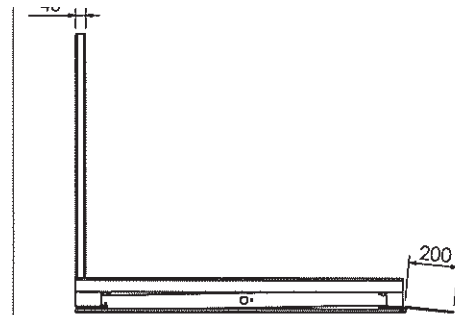


SENSORS FOR PREVENTING RISK OF CRUSHING

FOR APPROVAL 4

22066	1	DIMENSIONS ARE IN mm TOLERANCES: FRACTIONAL ± ANGULAR: MACH ± BEND ± TWO PLACE DECIMAL ± THREE PLACE DECIMAL ±	DRAWN	NAME	DATE	
			CHECKED	SKL	2011-10-12	
		MATERIAL	ENG APPR.			
		FINISH	MFG APPR.			
			Q.A.			
Order No.	Qty		COMMENTS:			SIZE
			TLXUS-SP 10 80-2C			DWG. NO.
APPLICATION		DO NOT SCALE DRAWING	1320x1790			REV.
			SCALE: 1:2			WEIGHT:
						SHEET 3



SECTION -

SENSORS FOR PREVENTING RISK OF CRUSHING

FOR APPROVAL 5

PROPRIETARY AND CONFIDENTIAL

22066	1	DIMENSIONS ARE IN mm	
		TOLERANCES	
		FRACTIONAL ±	1/10
		ANGULAR: MACH ± BEND ±	1/10
		TWO PLACE DECIMAL ±	0.1
		THREE PLACE DECIMAL ±	0.05