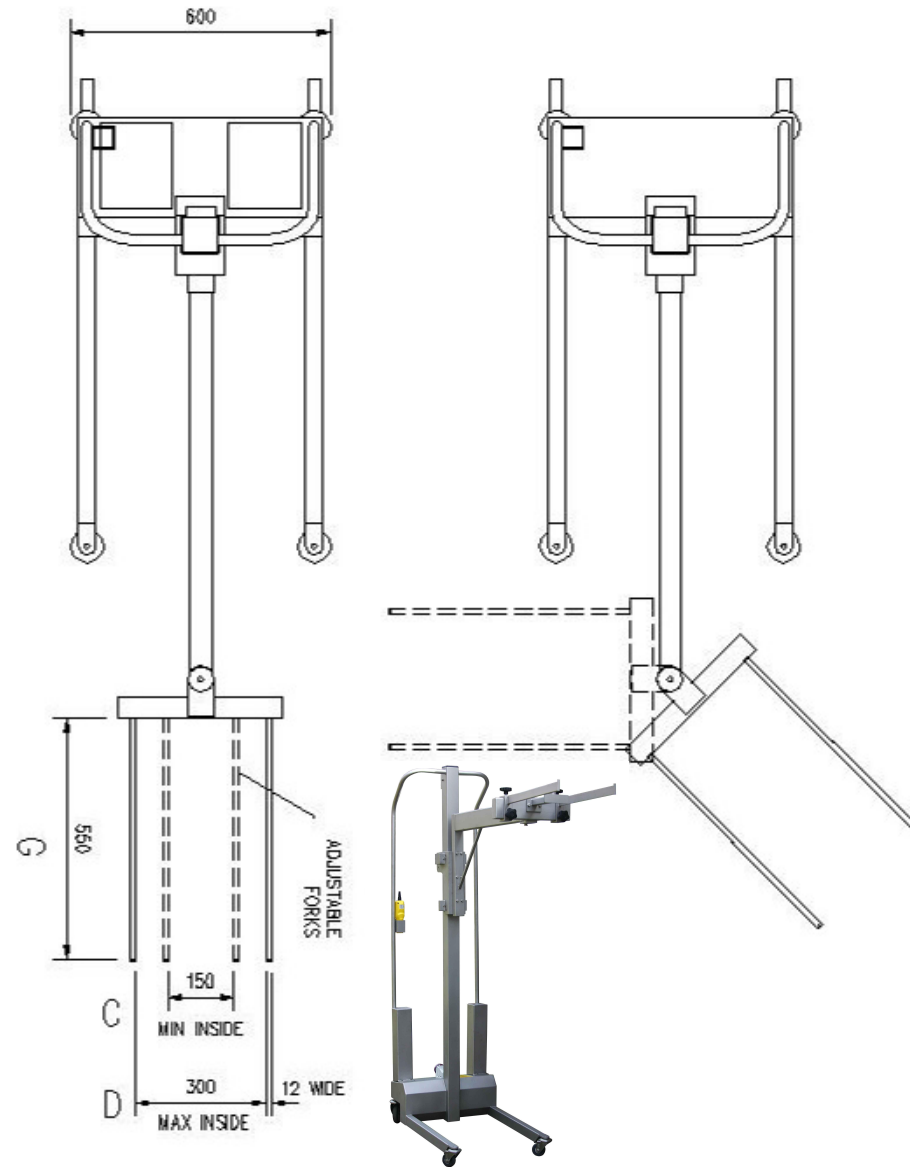
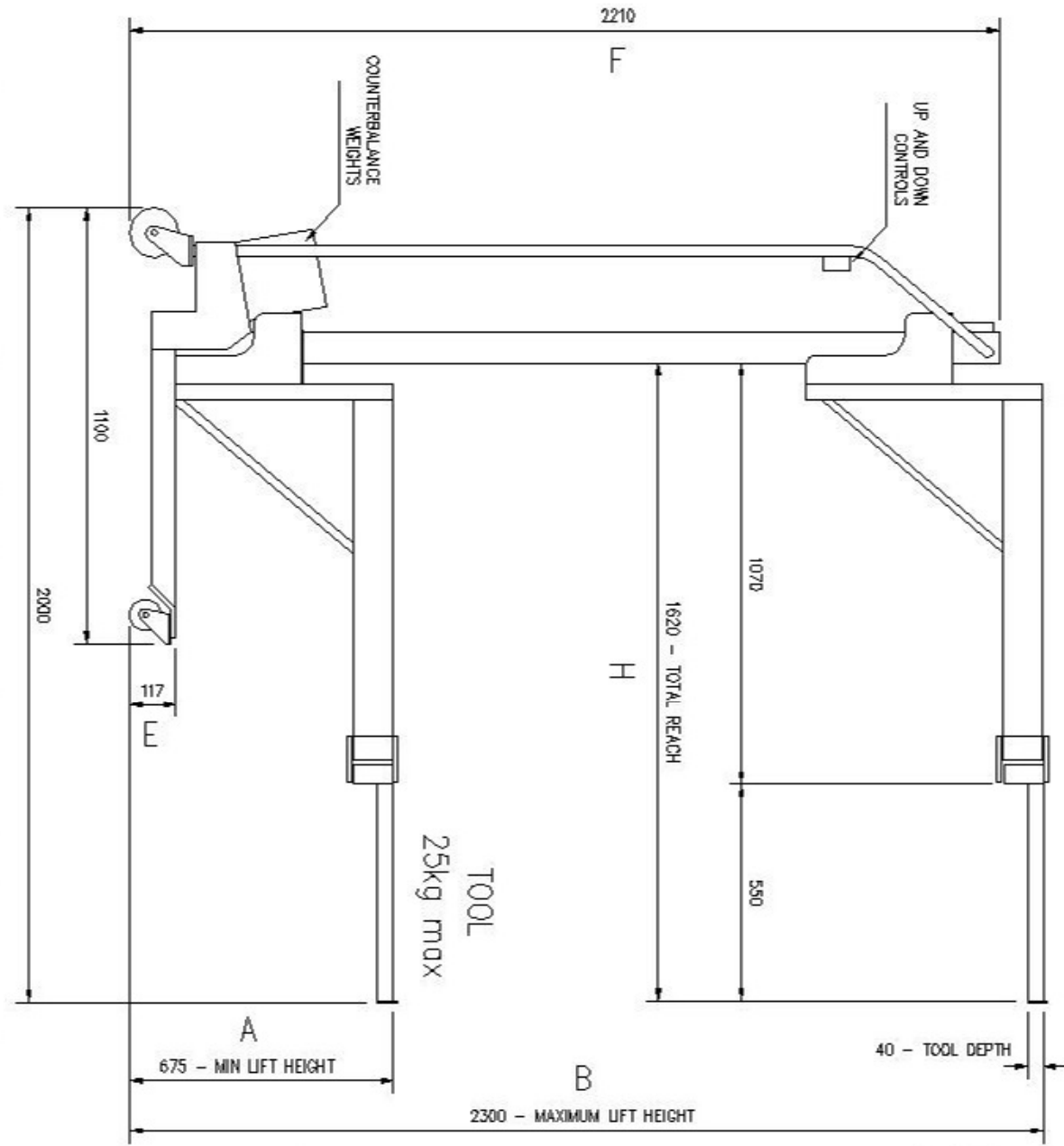


NOTES:-
1) MATERIAL - STAINLESS STEEL 304



4	Max lift height to 2300mm to suit Australian Customer	
3	Width reduced to under 24 inches	
2	Height to suit customer	
1	New Drawing.	
Rev	Modifications	Date

Drawn	Date :-	GEN TOLERANCES +/- 0.5	3rd ANGLE PROJECTION	SCALE	DRAWING No.
Approved	Date :-	DIMS IN MM UNLESS OTHERWISE STATED			8796-4

Manual Handling Solutions

TITLE :- SPECIAL EZY-LIFT 3 - TWIN ARM FOR TUBE HANDLING

58 Paige Close, The Meadows, Watlington
King's Lynn, Norfolk. PE33 0TQ

COPYRIGHT OF THIS DRAWING RESIDES WITH THE COMPANY. IT IS A PRIVATE AND CONFIDENTIAL COMMUNICATION AND MUST NOT BE COPIED OR LOANED WITHOUT THE WRITTEN CONSENT OF THE COMPANY AND MUST BE RETURNED IMMEDIATELY ON COMPLETION OF TENDER OR CONTRACT.