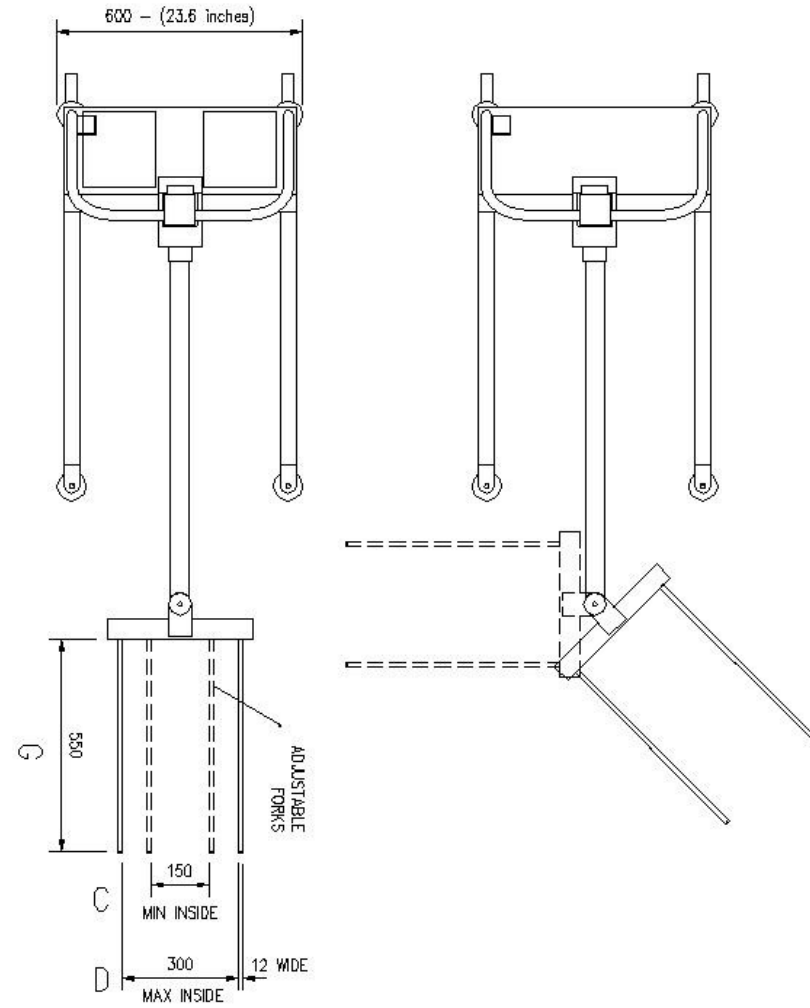
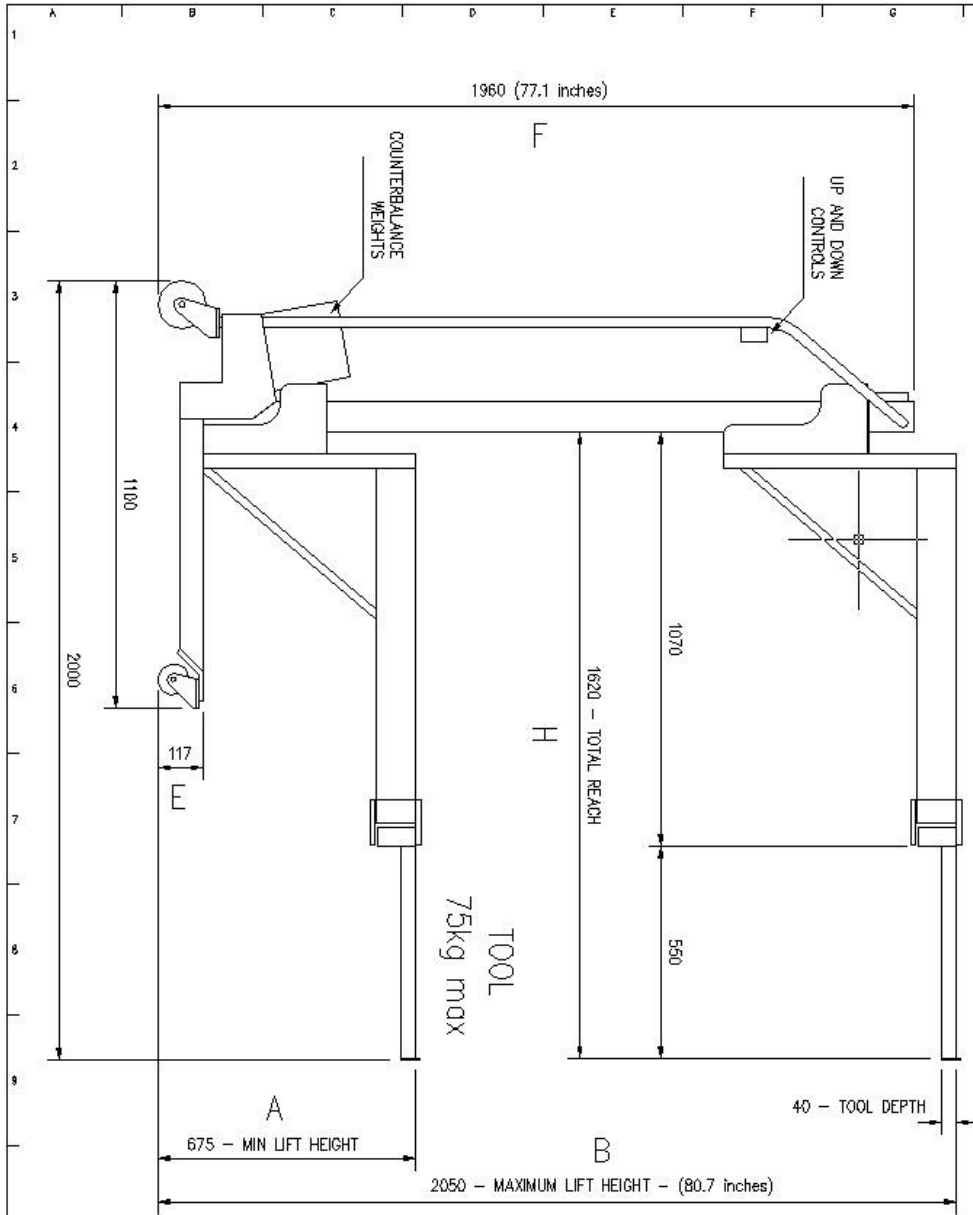


NOTES:-  
1) MATERIAL - STAINLESS STEEL 304



<b>Manual Handling Solutions</b>	3	Width reduced to under 24 inches			Drawn		Date :-	GEN. TOLERANCES +/- 0.5	3rd ANGLE PROJECTION	SCALE	DRAWING No.
	2	Height to suit customer									8796-3
	1	New Drawing.									
	10/2016	Modifications			Approved		Date :-	DW'S IN NH UNLESS OTHERWISE STATED			
<p>TITLE :- <b>SPECIAL EZY-LIFT 3 - TWIN ARM FOR TUBE HANDLING</b></p> <p><small>COPYRIGHT OF THIS DRAWING RESIDES WITH THE COMPANY . IT IS A PRIVATE AND CONFIDENTIAL COMMUNICATION AND MUST NOT BE COPIED OR LOANED WITHOUT THE WRITTEN CONSENT OF THE COMPANY AND MUST BE RETURNED IMMEDIATELY ON COMPLETION OF TENDER OR CONTRACT.</small></p>											